



ACPC566 Full-Size Industrial PC (Shoe-box)

Vibration resistant disk storage for harsh operating environments

Intel Celeron 566MHz Processor for powerful Applications

Mounting rails for vertical or horizontal Mounting

Supplied With Windows NT as standard

Field replaceable power supply for normal PS/2 and PS/2 type redundant PSU

12, 24, 48 and 240 Volt input units available

Single 120mm cooling fan with direction Control & replaceable air filter



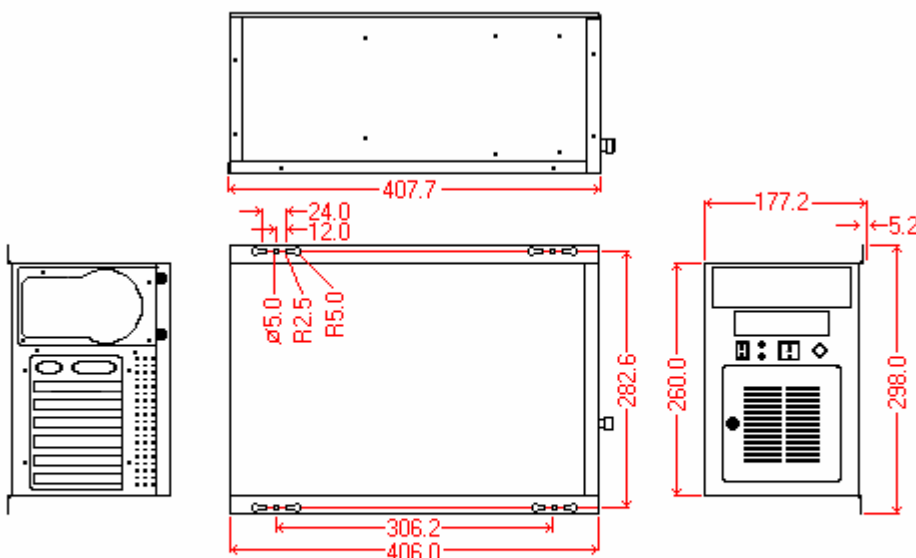
Order code AC00-102-NFC-AD3

Other options available. Please contact for details.

Technical Specification

Intel Celeron 566 Processor
 128MB PC133 SDRam
 20 gig 2.5" Hard Disk Drive
 UDMA/100 Drive Interface
 3.5" External Floppy Disk Drive
 Integrated Intel 815E Chipset
 120mm bearing fan (86.5cfm)
 Power on/reset switch with cap
 Standard 5-Pin AT K/B connector

Dimensions: 260(W) x 408(D) x 172(H) mm
 10.2"(W) x 16.1"(D) x 6.8"(H)
 Weight: ~9.5Kg. (20.9 lb)
 Input Voltage: 110 to 240 VAC auto sensing
 Input Frequency: 43Hz-63Hz
 Efficiency: Min. 70%
 MTBF Reliability: Min. 50, 000 hours at 25°C (70°C)
 Safety: UL/CSA/TUV/FCC/CE/CB
 Specification May change without notification.



Environmental Operation

Operating Temperature Range
 0 to 55°C

Relative Humidity
 5 to 95% non-condensing

Chassis
 Fully sealed Heavy-Duty Steel construction

Disk Drive
 Heavy Duty 2.5" Vibration resistant Hard Disk Drive

Software
 Windows NT standard

AJM AUTOMATION LTD. 8 WELLAND ROAD, HILTON, DERBY, DE65 5GZ

TEL: +44 (0) 1283 734388 FAX: +44 (0) 1283 734788

<http://www.ajmautomation.co.uk>

E&OE